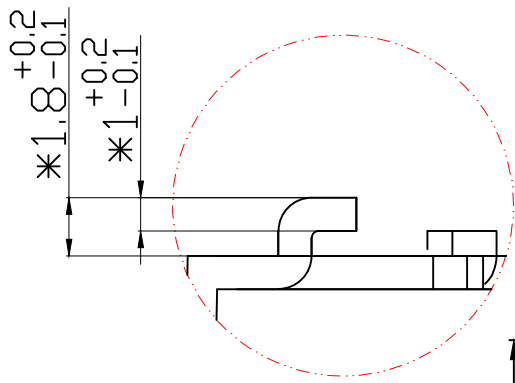
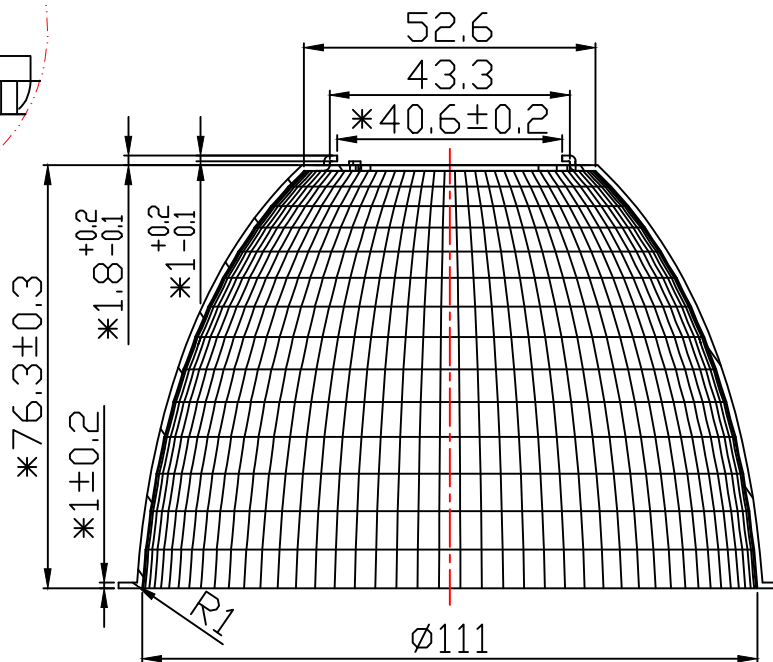


table for unmentioned tolerance in the drawing (unit: mm)				punch angle tolerance in the drawing (unit:degree)		
> 0-5	> 5-30	> 30-90	> 90-150	0-10	10-50	50-120
±0.15	±0.2	±0.4	±0.5	±1°	±0.5°	±0.3°
> 150-250	> 250-400	> 400-700		120-250	250-360	360 above
±0.8	±1.5	±2		±0.2°	±0.166°	±0.085°

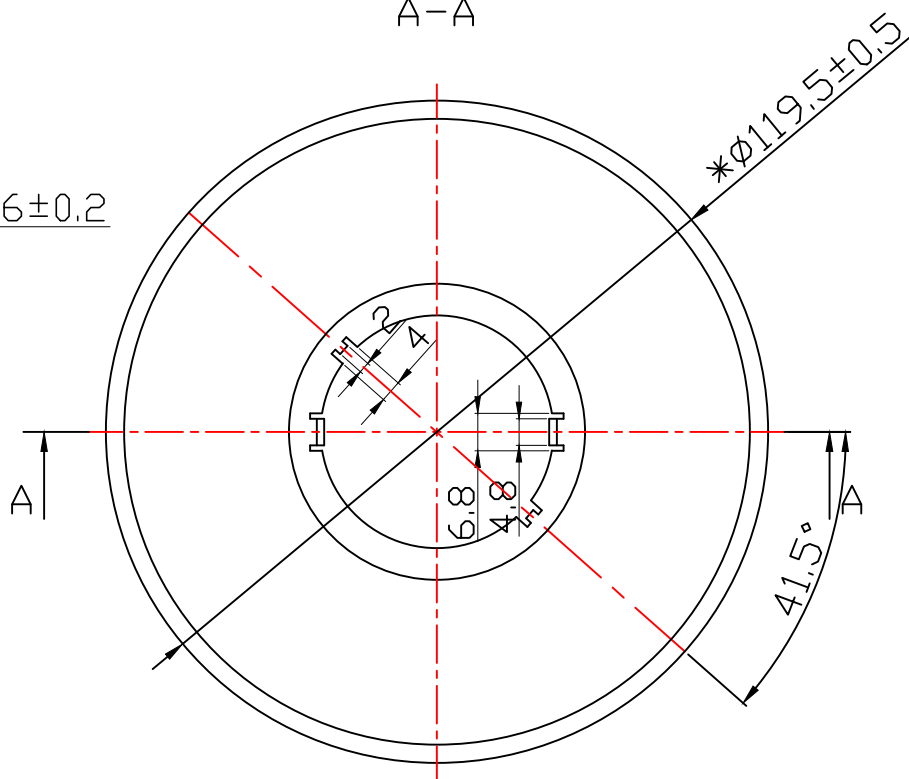
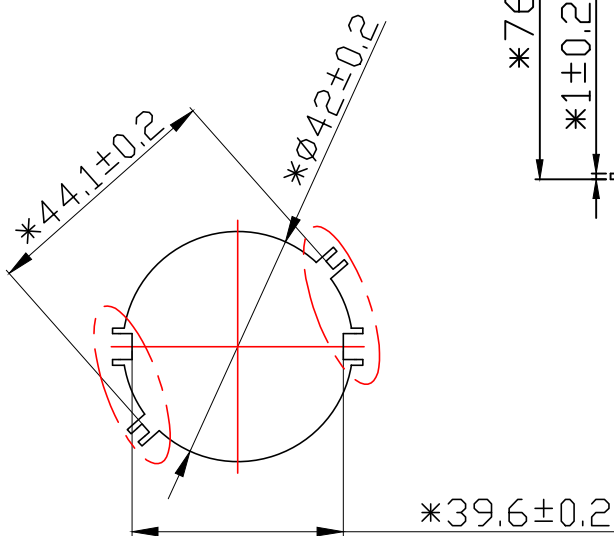
“\*” Marked for key control dimensions



A  
6:1

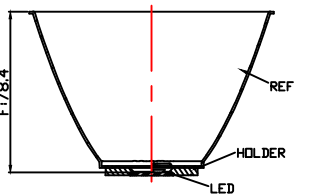


A-A



Light Source	CITIZEN CLU038
PlasticHolder	BJB 47.319.2021
Metal Adaptar	
Design Angle	36° ±3°
Measured Angle	36°
Efficiency	93.53%

光学装配示意图



标记	1	更改内容	签名	更改日期
MARK	NO. OF MODIF.	MODIFICATIONS	SIGNED BY	MODIF. DATE
设计		制图	比例	1:1
DESIGNER		DRAWN BY	SCALE	
工艺		审核	视角	1st ANGLE PROJECTION
TECHNICIAN		CHECKED BY		
批准		日期	页数	SHEET 1 OF 1
APPROVED BY		DATE (DD-MM-YYYY)	PAGE	

MATERIAL: T=1.0MM 1090AL FINISH: ANDOIZING	P/N: 91.04.2642.001	版本/REV KO
	产品名称 PRODUCT NAME	4-2642-A2
	客户代号 CUSTOMER ID	NT
	客户编号 CUSTOMER CODE	AR-D120 36° BJB
<b>Nata</b>		